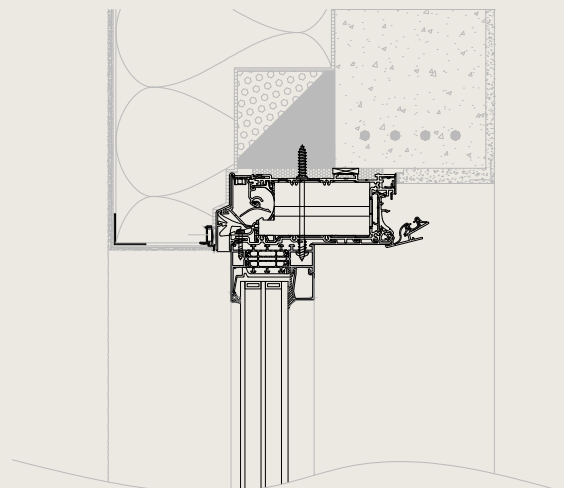


TECHNICAL SPECIFICATIONS

	Invisivent® AIR			Invisivent® COMFORT		
	Light	Basic	High	Basic	High	Ultra
Airflow						
Airflow Q at 1 Pa	10.6 l/s/m 38.1 m³/h/m	10.6 l/s/m 38.0 m³/h/m	8.9 l/s/m 32.2 m³/h/m	3.4 l/s/m 12.2 m³/h/m	2.3 l/s/m 8.3 m³/h/m	1.9 l/s/m 6.7 m³/h/m
Airflow Q at 2 Pa	17.2 l/s/m 62.0 m³/h/m	17.2 l/s/m 62.0 m³/h/m	12.1 l/s/m 43.4 m³/h/m	6.0 l/s/m 21.6 m³/h/m	4.7 l/s/m 16.8 m³/h/m	3.3 l/s/m 11.8 m³/h/m
Airflow Q at 10 Pa	16.4 l/s/m	17.6 l/s/m	11.9 l/s/m	18.8 l/s/m	12.4 l/s/m	10.0 l/s/m
Airflow Q at 20 Pa	19.2 l/s/m	17.3 l/s/m	14.3 l/s/m	24.0 l/s/m	18.2 l/s/m	14.4 l/s/m
Equivalent Area	13,479 mm²/m	13,429 mm²/m	11,364 mm²/m	4,311 mm²/m	2,936 mm²/m	2,356 mm²/m
Comfort						
Acoustic insulation D _{n,e,w} [C,C _{tr}] in open position	31 [-1;-2] dB	34 [0;-1] dB	40[0;-2] dB	35 [-1;-2] dB	39 [0;-2] dB	42 [0;-2] dB
Acoustic insulation D _{n,e,w} [C,C _{tr}] in closed position	51 [-1;-3] dB					
Technical details						
Control	manual, cord, rod					
Position control	5 positions					
U value	2.0 W/(m²K)	1.8 W/(m²K)	1.8 W/(m²K)	1.8 W/(m²K)	1.8 W/(m²K)	1.7 W/(m²K)
Self-regulating	At 2 Pa			At 10 Pa		
Leakage rate at 50Pa	< 15% [in closed position]					
Insect-proof	Yes					
Waterproof in closed position	900 Pa					
Waterproof in open position	150 Pa [without design exterior cover] 250 Pa [with design exterior cover]					
Burglar-resistant	Class RC 2					
Thermally interrupted	Yes					
Dimensions						
Glass reduction	0 mm					
Construction height	65 mm					
Minimum depth	50 - 82 mm	83 - 112 mm	143 - 172 mm	50 - 82 mm	83 - 112 mm	113 - 142 mm
Compatible window thicknesses	from 50 to 202 mm and thicker on request					
Max. length	6000 mm					
Finish						
Aluminium profile	E6/EV1, RAL, bicolour					
Endcaps	Same colour as the aluminium profile [coated or mass coloured]					

TECHNICAL SPECIFICATIONS		Invisivent® Comfort Extreme	
Airflow Q at 1 Pa		0.6 m³/h	0.2 l/s/m
Airflow Q at 2 Pa		2.9 m³/h	0.8 l/s/m
Airflow Q at 10 Pa		15.8 m³/h	4.4 l/s/m
Airflow Q at 20 Pa		22.5 m³/h	6.2 l/s/m
Equivalent Area		213 mm²	
Comfort			
Acoustic insulation $D_{n,e,w}$ (C,C _{tr}) in open position		48 (0;-2) dB	
Acoustic insulation $D_{n,e,w}$ (C,C _{tr}) in closed position		62 (-1;-4) dB	
Technical details			
Controls		manual, cord, rod, motor	
Position control		5 positions	
<i>High rise version</i>		16 positions	
U value		1.7 W/m²K	
Self-regulating		At 10 Pa	
Leakage rate at 50Pa		< 15% (in closed position)	
Insect-proof		Yes	
Waterproof in closed position		900 Pa	
<i>High rise version</i>		1200 Pa	
Water proof in open position		250 Pa	
Burglar-resistant		Class RC 2	
Thermally interrupted		Yes	
Dimensions			
Glass reduction (mm)		0	
Construction height		66.5 mm	
Compatible window thicknesses		from 50 to 202 mm and thicker on request	
Max. length		6000 mm	
Finish			
Aluminium profile		E6/EV1, RAL, bicolour	

Please refer to the full technical sheet of Invisivent® Comfort Extreme

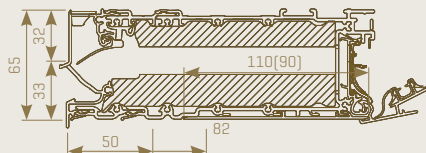


TECHNICAL SPECIFICATIONS	Invisivent® UT		Invisivent® UT High	
Airflow Q at 1 Pa	9.63 l/s/m	34.70 m³/h/m	7.8 l/s/m	28.0 m³/h/m
Airflow Q at 2 Pa	13.80 l/s/m	49.70 m³/h/m	12.2 l/s/m	43.9 m³/h/m
Airflow Q at 10 Pa	32.70 l/s/m	117.6 m³/h/m	29.8 l/s/m	107.4 m³/h/m
Airflow Q at 20 Pa	41.51 l/s/m	149.5 m³/h/m	42.6 l/s/m	153.5 m³/h/m
Equivalent Area	12,246 mm²/m		9,885 mm²/m	
Comfort				
Acoustic insulation $D_{n,e,w}$ (C,C _{tr}) in open position	34 (0; -1) dB		40 (0; -2) dB	
Acoustic insulation $D_{n,e,w}$ (C,C _{tr}) in closed position	51 (-1; -3) dB			
Technical details				
Position control	5 positions			
<i>High rise version</i>	16 positions			
Controls	Manual, cord, rod, motor			
U value	1.8 W/m²K			
Self-regulating	At 10 Pa			
Leakage rate at 50Pa	< 15% (in closed position)			
Insect-proof	Yes			
Waterproof in closed position	900 Pa			
<i>High rise version</i>	1200 Pa			
Water proof in open position	150 Pa			
<i>High rise version / Designcap</i>	250 Pa			
Burglar-resistant	Class RC 2			
Thermally interrupted	Yes			
Dimensions				
Glass reduction (mm)	0 mm			
Construction height	65 mm (66.5 with design cap)			
Minimum depth	83 - 112 mm		143 - 172 mm	
Compatible window thicknesses	from 50 to 202 mm and thicker on request			
Max. length	6000 mm			
Finish				
Aluminium profile	E6/EV1, RAL, bicolour			

Find out more about the Invisivent® UT High via the Renson Professional Portal



UT High Invisivent®



UT High Invisivent® with high rise option

